

PERFECTION
TABLE
LAMPS

CENTERSVET

Centersvet was founded in 2005 by a married couple, partners in life and business, Evgeny Shchegolev and Natalya Shchegoleva. We combine traditions, merge styles, create refined proportions, selected combinations, exquisite design, innovate, research, improve and integrate advanced lighting technologies into our products. We design, manufacture and sell beautiful and high-quality lamps, modern and functional lighting with love, soul and dedication.

Light influences everything in our lives and shapes our cultural codes, our emotional state, atmosphere, mood, our productivity and happiness.

LIGHT IS EVERYTHING

INTERNATIONAL AWARDS



SIT AWARD, SWITZERLAND
2021, 2022, 2023



BUILT, SWITZERLAND
2022, 2023



DNA, PARIS
2021, 2022



RED DOT, ESSEN
2020, 2021



IF DESIGN, BERLIN
2020, 2021



ICONIC AWARDS, COLOGNE
2020, 2022



LONDON CREATIVE
2020, 2021



[D]ARC AWARDS, LONDON
2022



LIT LIGHTING, LOS ANGELES
2020, 2021, 2022



ARCHIPRODUCTS, MILAN
2019, 2020, 2021, 2022



EUROPEAN DESIGN
2020, 2021



GERMAN INNOVATION
2020, 2021



MUSE, NEW YORK
2020, 2022



IDA, LOS ANGELES
2020, 2021, 2022



UEA, DUBAI
2021



GERMAN DESIGN
2022



A'DESIGN, ITALY
2020, 2021, 2022



GOOD DESIGN, CHICAGO
2020, 2021



DESIGNED AND MADE
IN RUSSIA, MOSCOW
2022



GOLDEN PHOTON, MOSCOW
2021, 2023



ADD AWARDS, ST. PETERSBURG
2021

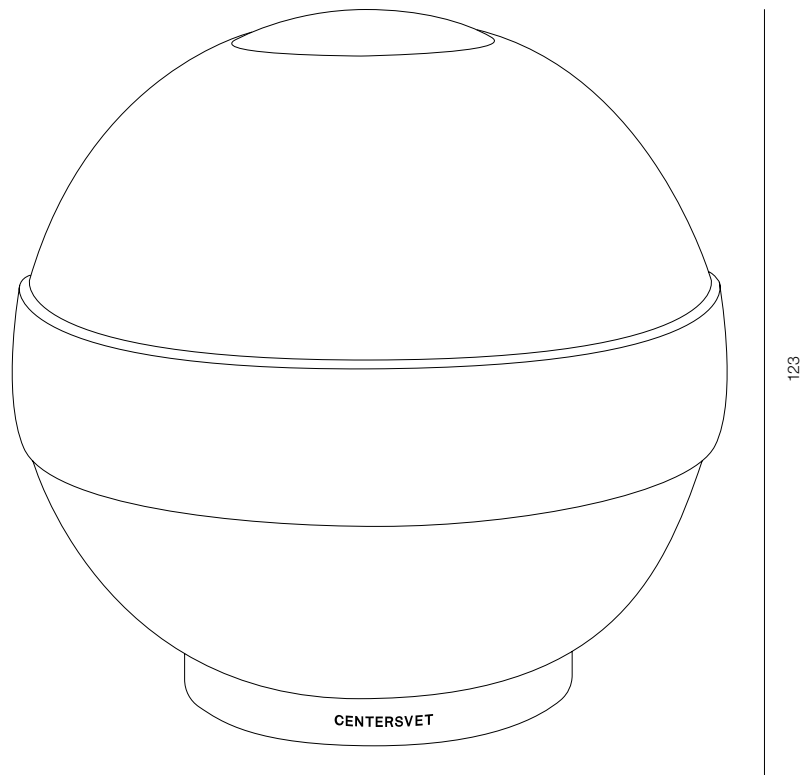


ELLE DECORATION, MOSCOW
2020

INDEX

ORBITA LAMP	7
CILINDRO LAMP	9
COPPA LAMP	11
TERZA LAMP	13
HALO LAMP	15
CASSA LAMP	17
PORTOFINO LAMP	19
SHELL LAMP	21
CHAMPIGNON LAMP	23
ROCKMELON O LAMP	25
ROCKMELON V LAMP	27
OMBRELLO LAMP	29
MATRĚSHKA LAMP (STONE)	31
MATRĚSHKA LAMP (VETRO)	33
MATRĚSHKA LAMP (GLASS)	35
MATRĚSHKA LAMP (CRYSTAL)	37
LOONA Y LAMP	39
LOONA C LAMP	41
LOONA V LAMP	43
LOONA S LAMP	45
LOONA P LAMP	47
LOONA L LAMP	49
LOONA R LAMP	51
LOONA J LAMP	53
LOONA U LAMP	55
LOONA G LAMP	57
TRAMONTO LAMP	59
CYLINDER RIM LAMP	61
HATDOG LAMP	63
PIANTANA LAMP	65





115

123

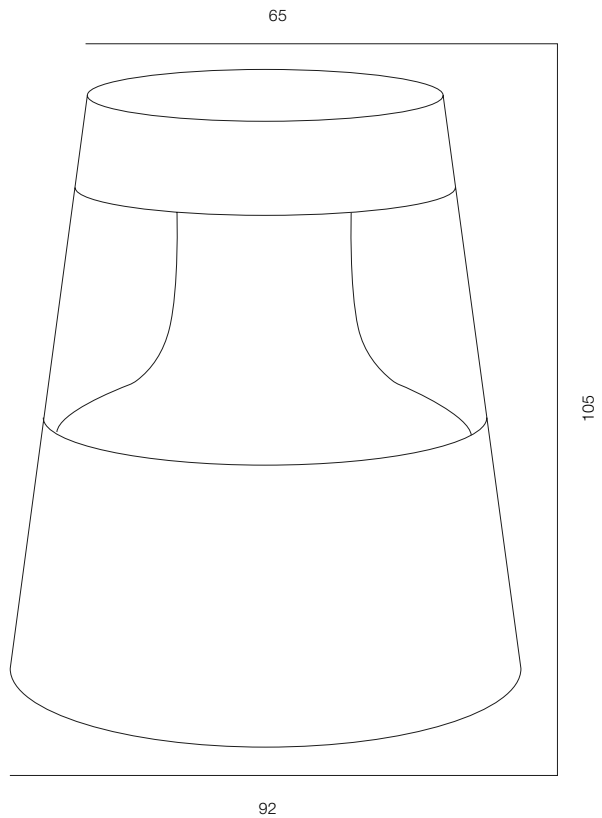
ORBITA LAMP 100

ORBITA LAMP

POWER - 3W / FLOOD / CCT - 3000K (TW) / CRI > 97 Ra (R9 > 90) / COMFORT - UGR < 19 /
IP40 / 5V / CONTROL - DIM TOUCH / WARRANTY - 2 YEARS

FINISHES: PAINT (white) / 100% BRASS (gold)





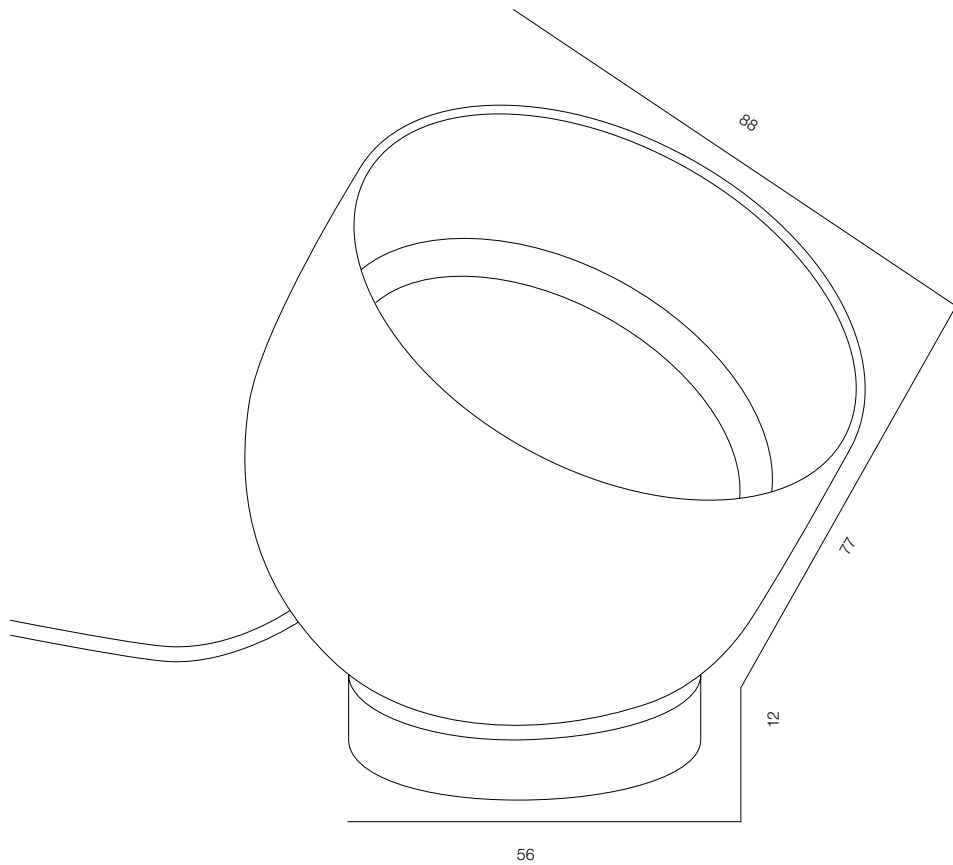
CILINDRO LAMP 2W

CILINDRO LAMP

POWER - 2W / FLOOD / CCT - 3000K (TW) / CRI > 97 Ra (R9 > 90) / COMFORT - UGR < 19 / IP40 / 5V / CONTROL - DIM TOUCH / WARRANTY - 2 YEARS

FINISHES: TITAN (gold, black, pink, natural)





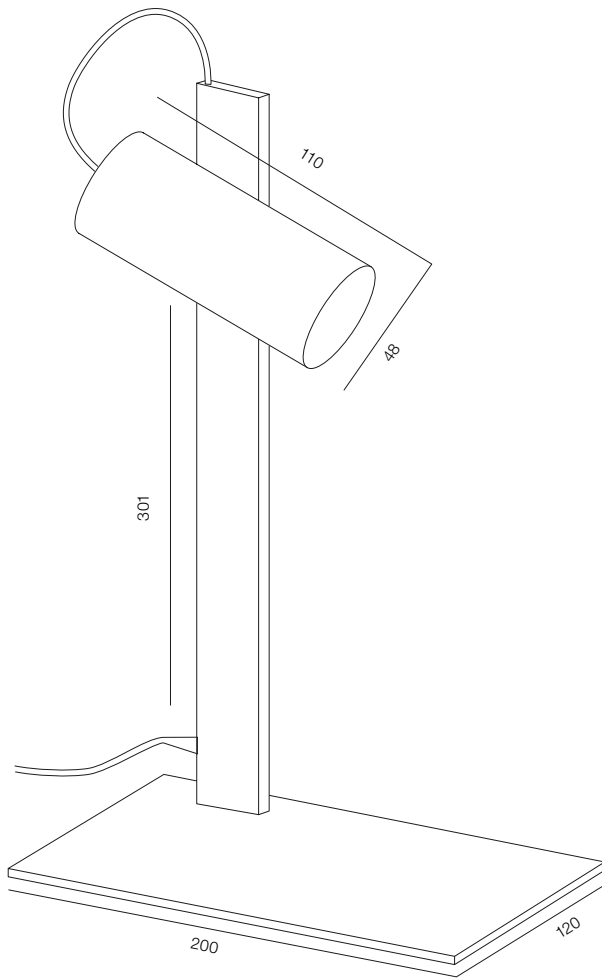
COPPA LAMP 80

COPPA LAMP

POWER - 8W / OPTIC - MEDIUM / CCT - 2700K / CRI>97 Ra (R9>90) / COMFORT - UGR <19 / IP40 / 220V / CONTROL - DIM TOUCH / WARRANTY - 2 YEARS

FINISHES: 100% BRASS (gold, platinum)





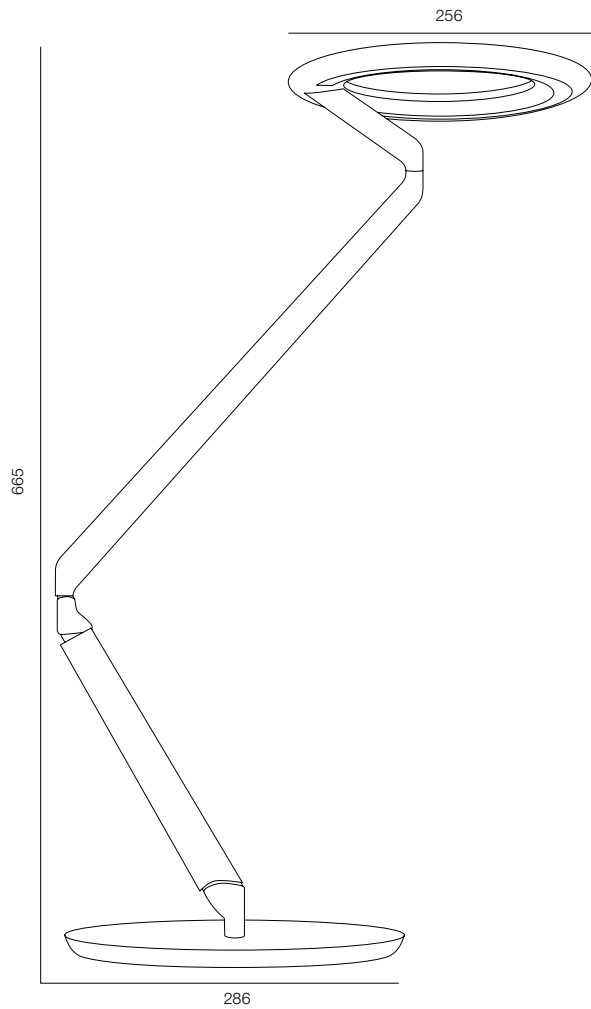
TERZA LAMP 48

TERZA LAMP

POWER - 8W / OPTIC - MEDIUM / CCT - 2700K / CRI>97 Ra (R9>90) / COMFORT - UGR <19 / IP40 / 220V / CONTROL - DIM TOUCH / WARRANTY - 2 YEARS

FINISHES: 100% BRASS (gold, platinum)





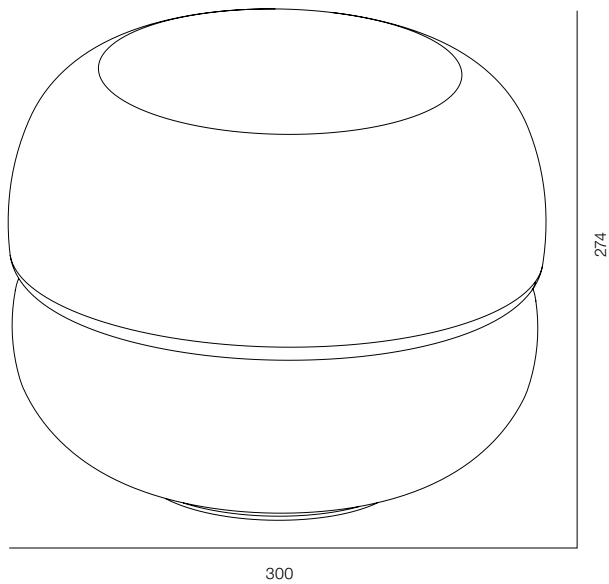
HALO LAMP

HALO LAMP

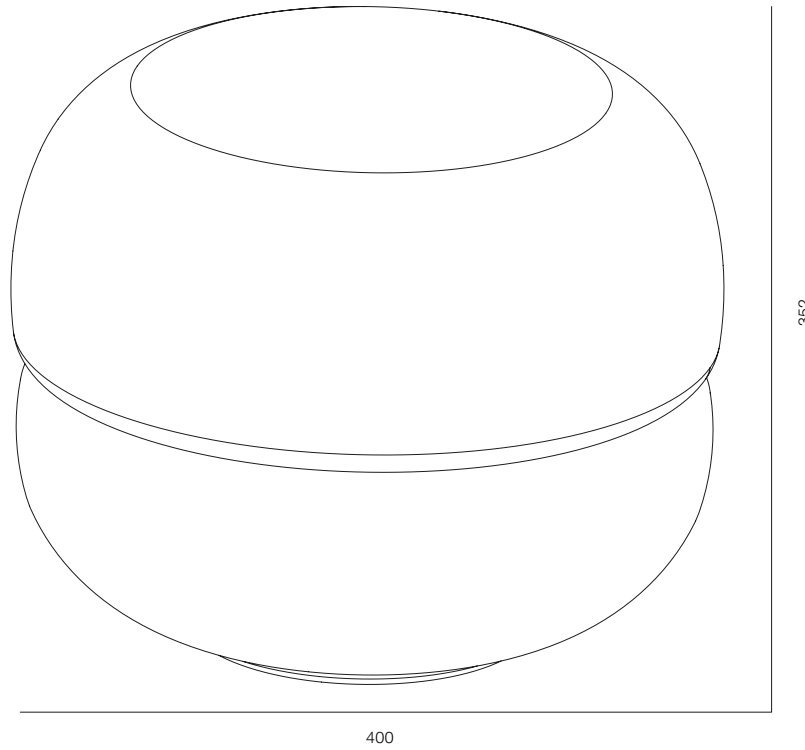
POWER - 18W / FLOOD / CCT - 2000-4500K (TW) & RGB / CRI>97 Ra (R9>90) / COMFORT - UGR <19 / IP40 / 220V / CONTROL - DIM SENSOR / WARRANTY - 2 YEARS

FINISHES: PAINT (white, black)





CASSA LAMP 30



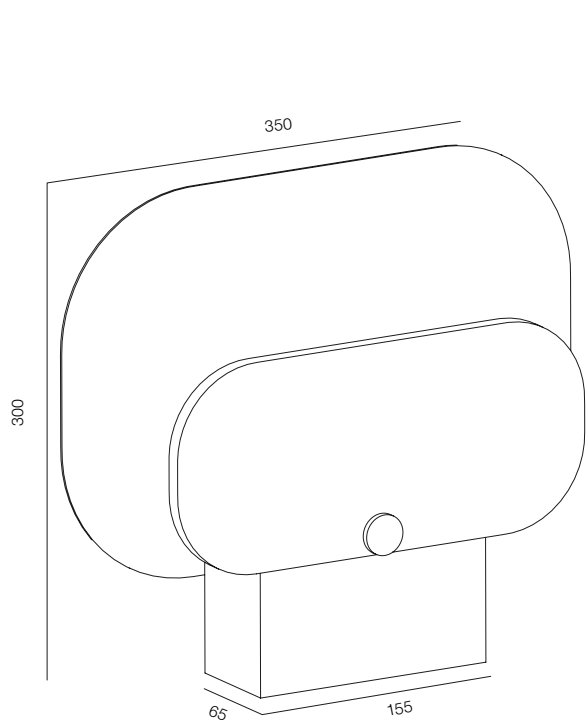
CASSA LAMP 40

CASSA LAMP

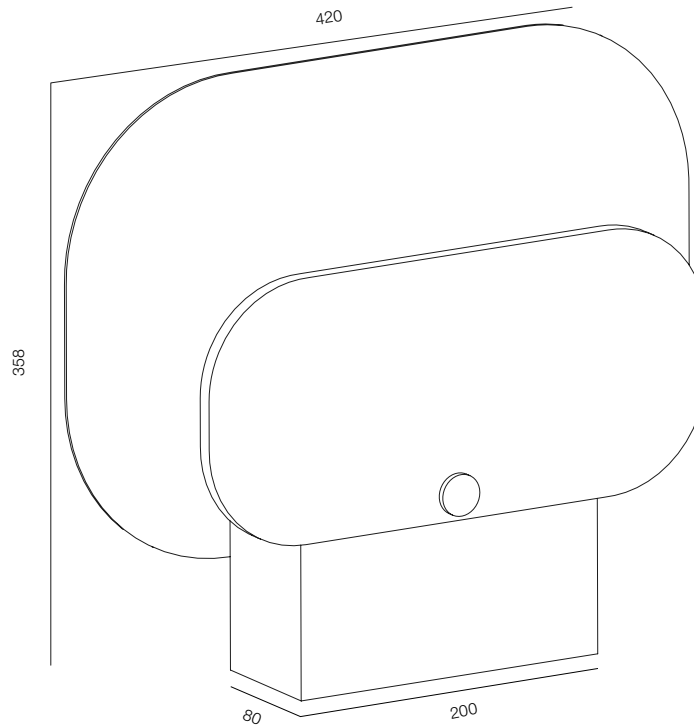
POWER - 8W, 10W / FLOOD / CCT - 2200K / CRI>97 Ra (R9>90) / COMFORT - UGR <19 /
IP40 / 220V / CONTROL - DIM PUSH / WARRANTY - 2 YEARS

FINISHES: GLASS DARK & STONE NATURAL





PORTOFINO LAMP S



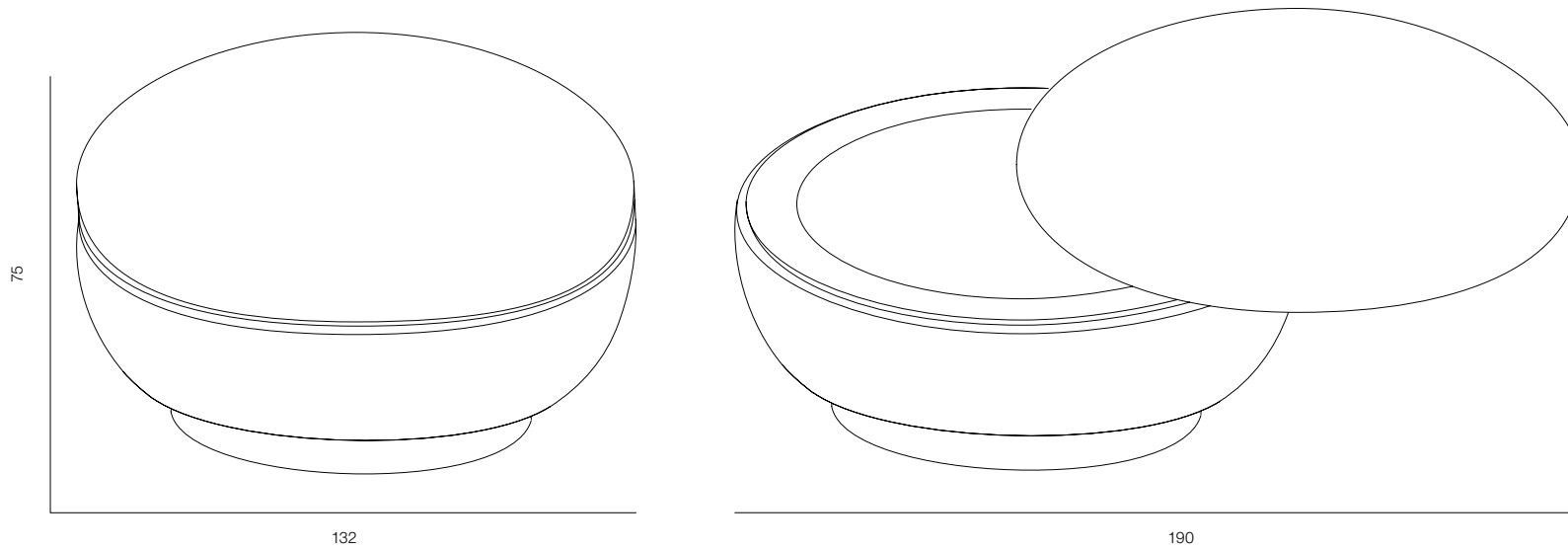
PORTOFINO LAMP M

PORTOFINO LAMP

POWER - 8W, 10W / FLOOD / CCT - 2000K / CRI>97 Ra (R9>90) / COMFORT - UGR <19 / IP40 / 220V / CONTROL - NO DIM / WARRANTY - 2 YEARS

FINISHES: STONE NATURAL & PAINT BLACK





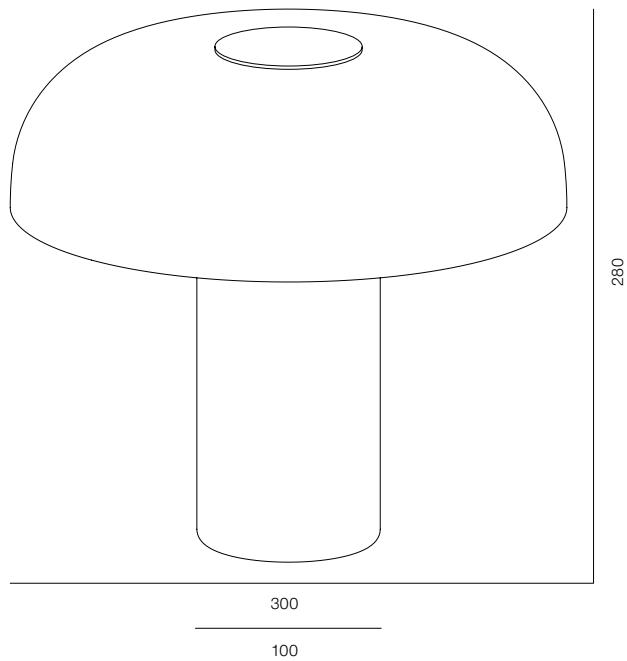
SHELL LAMP 75

SHELL LAMP

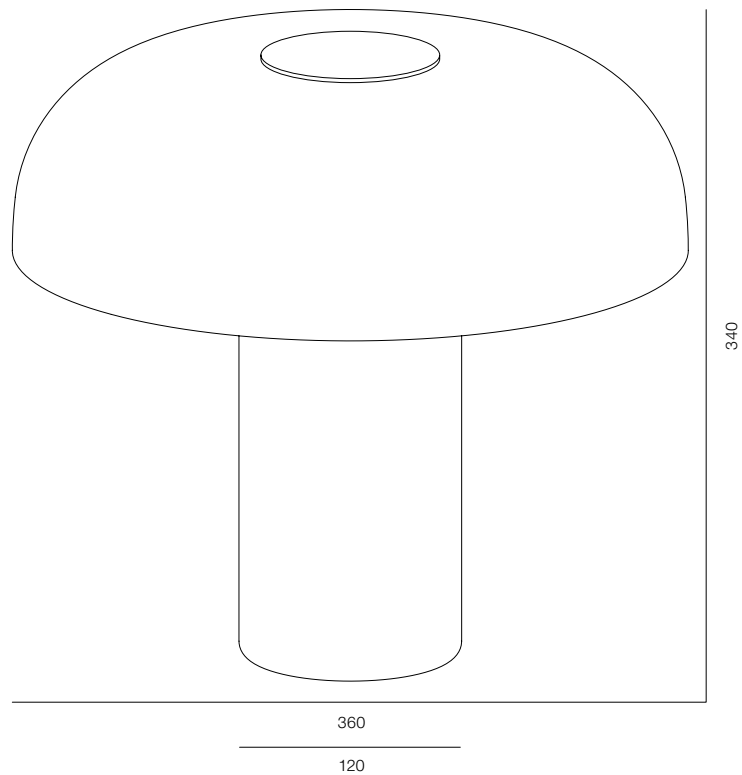
POWER - 2W / FLOOD / CCT - 2200K / CRI>97 Ra (R9>90) / COMFORT - UGR <19 /
IP40 / 220V / CONTROL - DIM TOUCH / WARRANTY - 2 YEARS

FINISHES: DARK GLASS / STONE NATURAL & TITAN (gold, black)





CHAMPIGNON LAMP 300



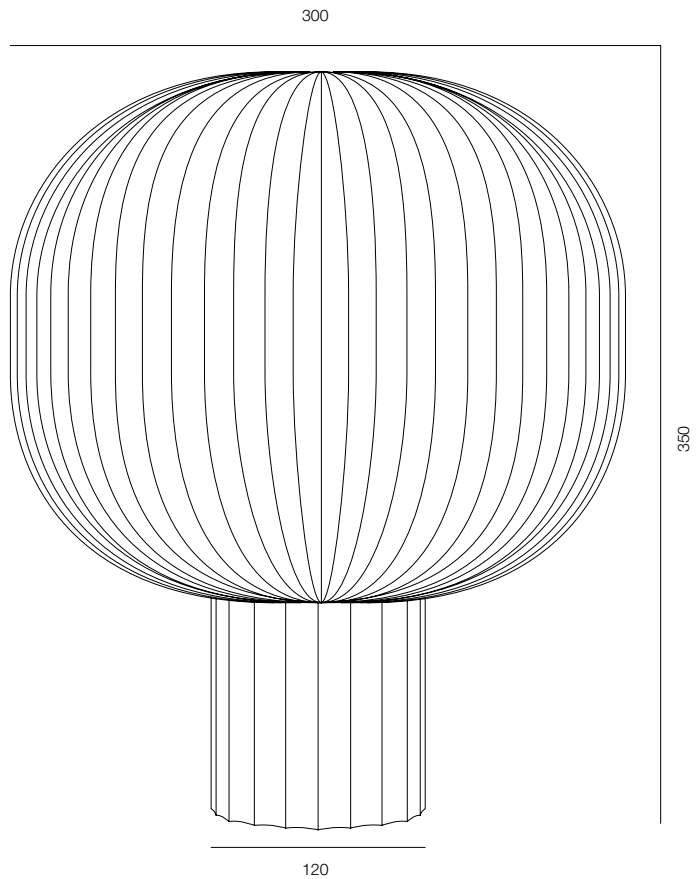
CHAMPIGNON LAMP 360

CHAMPIGNON LAMP

POWER - 8W, 10W / FLOOD / CCT - 2000K / CRI>97 Ra (R9>90) / COMFORT - UGR <19 / IP40 / 220V / CONTROL - DIM TOUCH / WARRANTY - 2 YEARS

FINISHES: STONE NATURAL & 100% BRASS (gold)





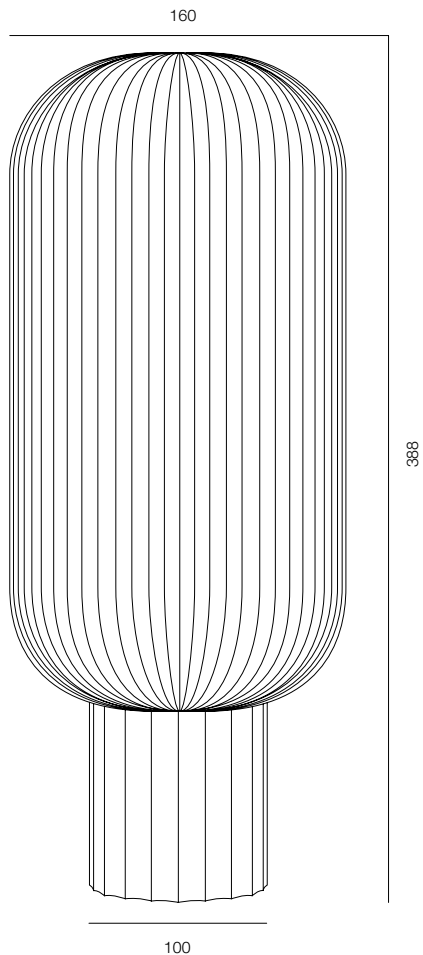
ROCKMELON O LAMP 350

ROCKMELON O LAMP

POWER - 10W / FLOOD / CCT - 2200K / CRI>97 Ra (R9>90) / COMFORT - UGR <19 /
IP40 / 220V / CONTROL - DIM TOUCH / WARRANTY - 2 YEARS

FINISHES: STONE NATURAL





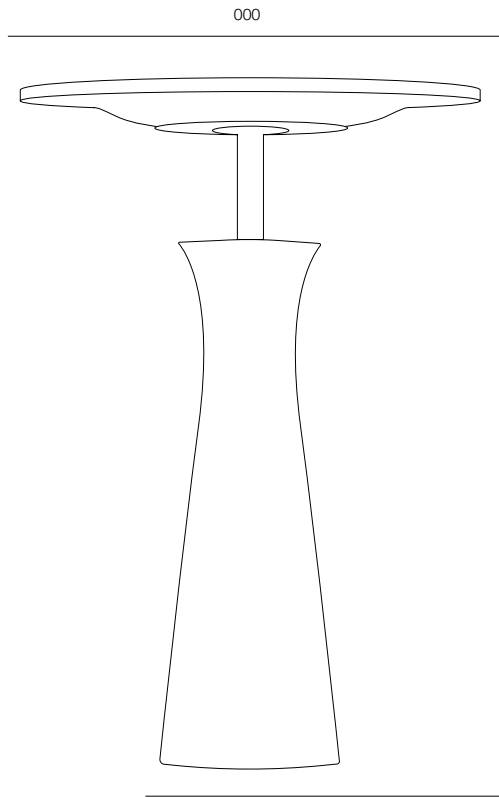
ROCKMELON V LAMP 380

LAMP SKYLANTERN V

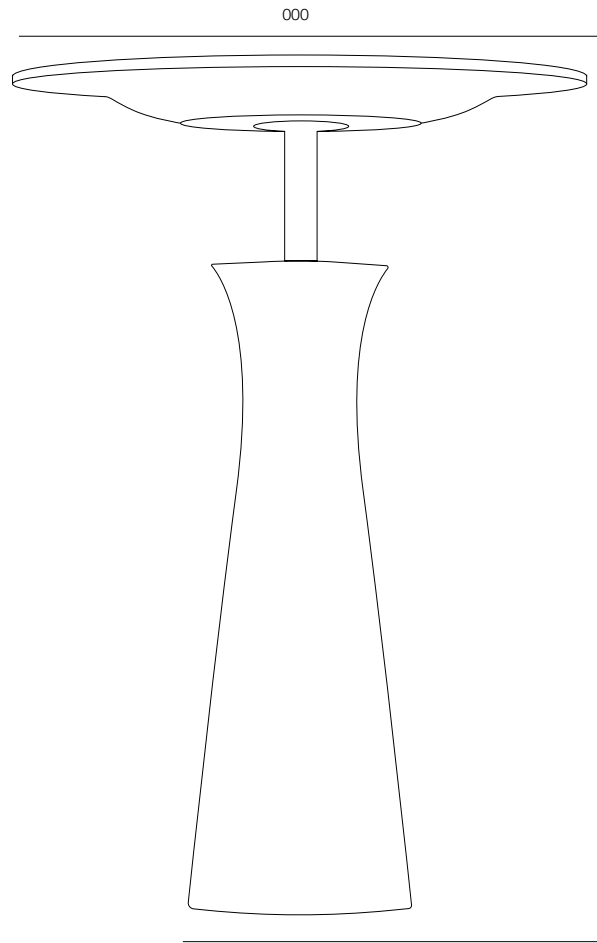
POWER - 10W / FLOOD / CCT - 2200K / CRI>97 Ra (R9>90) / COMFORT - UGR <19 /
IP40 / 220V / CONTROL - DIM TOUCH / WARRANTY - 2 YEARS

FINISHES: STONE NATURAL





000
OMBRELLO LAMP S



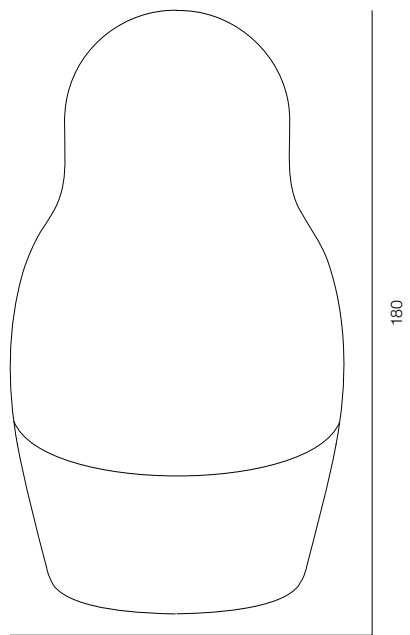
000
OMBRELLO LAMP M

OMBRELLO LAMP

POWER - 10W / FLOOD / CCT - 2200K / CRI>97 Ra (R9>90) / COMFORT - UGR <19 /
IP40 / 220V / CONTROL - DIM TOUCH / WARRANTY - 2 YEARS

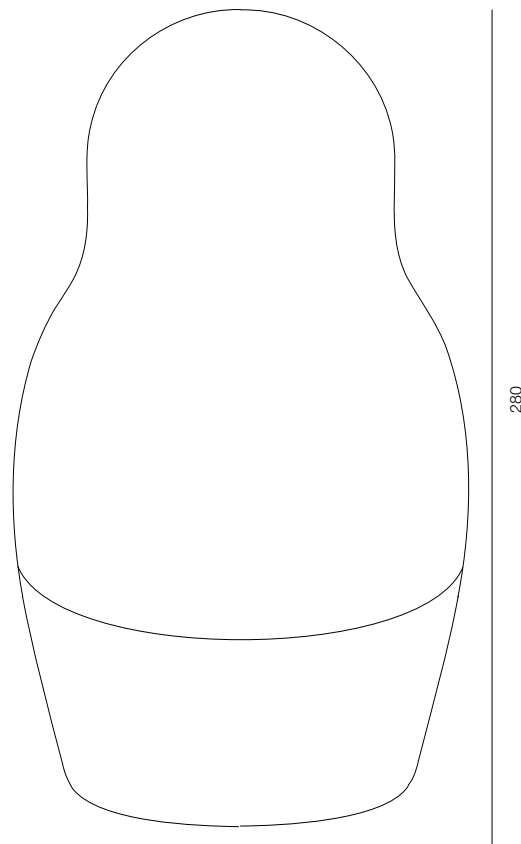
FINISHES: STONE NATURAL





104

MATRĚSHKA LAMP STONE S



280

160

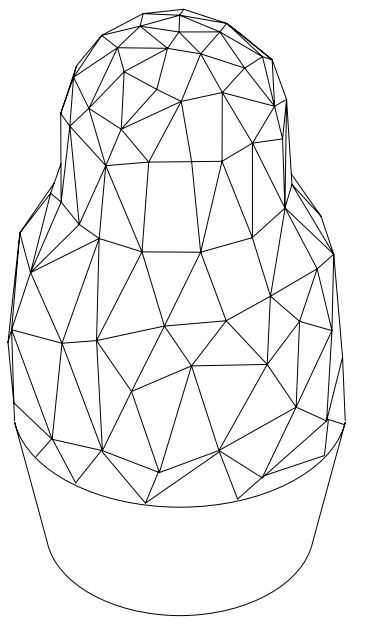
MATRĚSHKA LAMP STONE M

MATRĚSHKA LAMP (STONE)

POWER - 6W, 10W / FLOOD / CCT - 2200K / CRI>97 Ra (R9>90) / COMFORT - UGR <19 /
IP44 / 220V / CONTROL - DIM TOUCH / WARRANTY - 2 YEARS

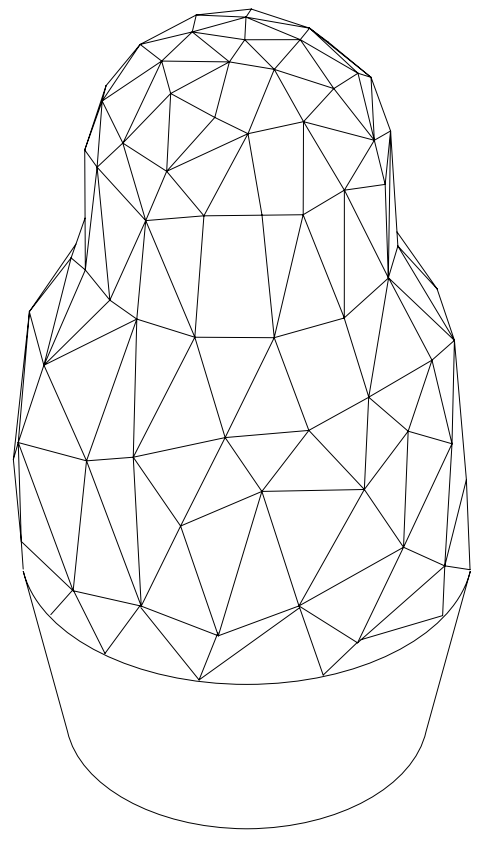
FINISHES: NATURAL STONE - PINK ALABASTER (SPAIN) / TITAN (gold, black)





104

MATRĚSHKA LAMP VETRO S



280

160

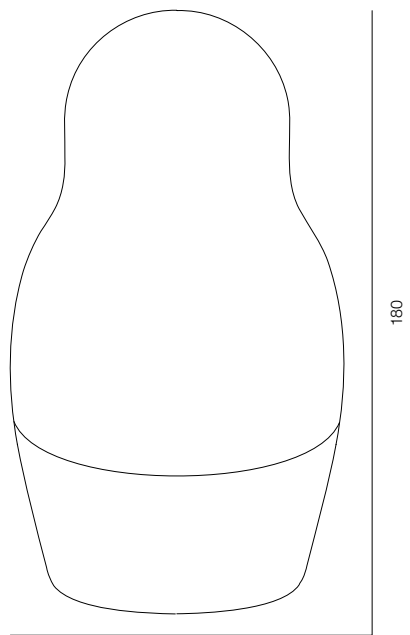
MATRĚSHKA LAMP VETRO M

MATRĚSHKA LAMP (VETRO)

POWER - 6W, 10W / FLOOD / CCT - 2200K / CRI>97 Ra (R9>90) / COMFORT - UGR <19 /
IP40 / 220V / CONTROL - DIM TOUCH / WARRANTY - 2 YEARS

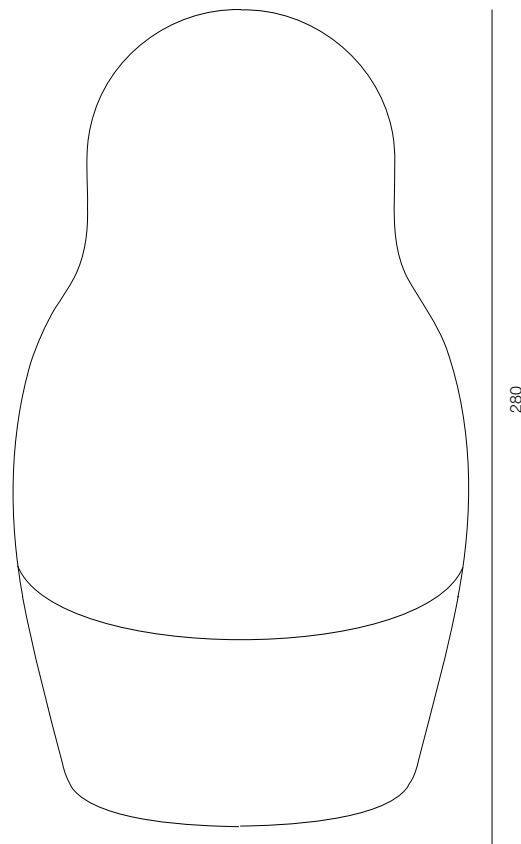
FINISHES: CRYSTAL PINK / TITAN (gold, black, pink)





104

MATRĚSHKA LAMP GLASS S



160

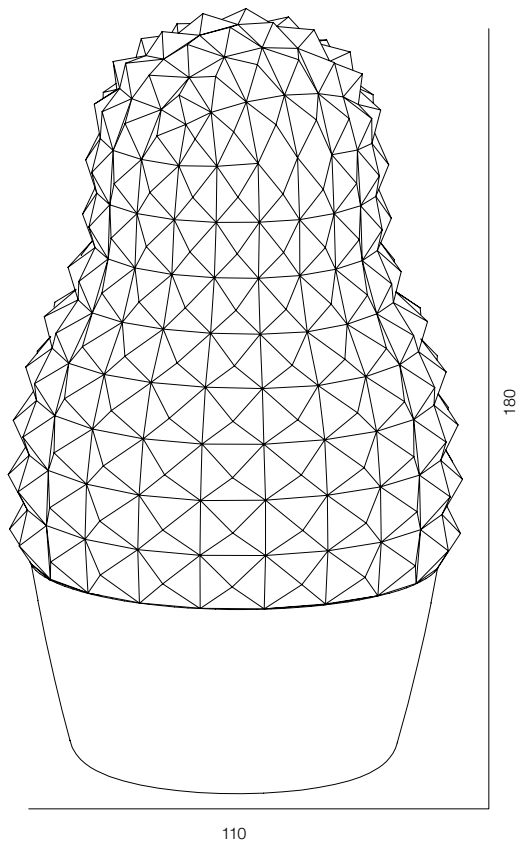
MATRĚSHKA LAMP GLASS M

MATRĚSHKA LAMP (GLASS)

POWER - 6W, 10W / FLOOD / CCT - 2200K / CRI>97 Ra (R9>90) / COMFORT - UGR <19 /
IP40 / 220V / CONTROL - DIM TOUCH / WARRANTY - 2 YEARS

FINISHES: GLASS DARK & TITAN (black)





110

180

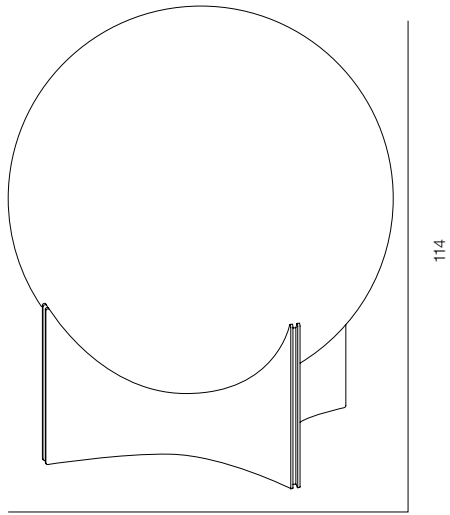
MATRĚŠKA LAMP CRYSTAL S

MATRĚŠKA LAMP (CRYSTAL)

POWER - 6W / FLOOD / CCT - 2200K / CRI>97 Ra (R9>90) / COMFORT - UGR <19 /
IP44 / 220V / CONTROL - DIM TOUCH / WARRANTY - 2 YEARS

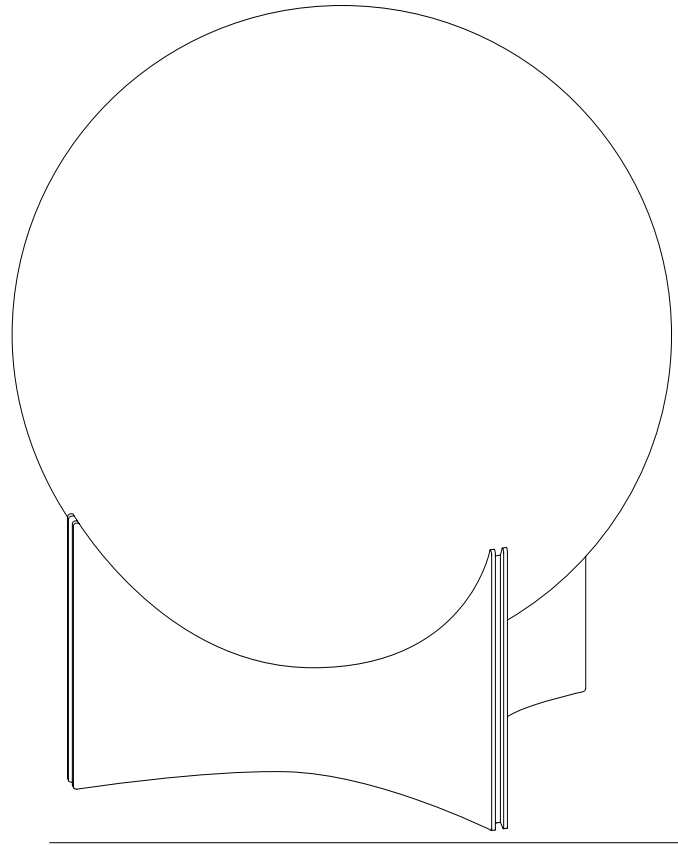
FINISHES: CRYSTAL PURE & TITAN (gold)





100

LOONA Y100 LAMP



225

200

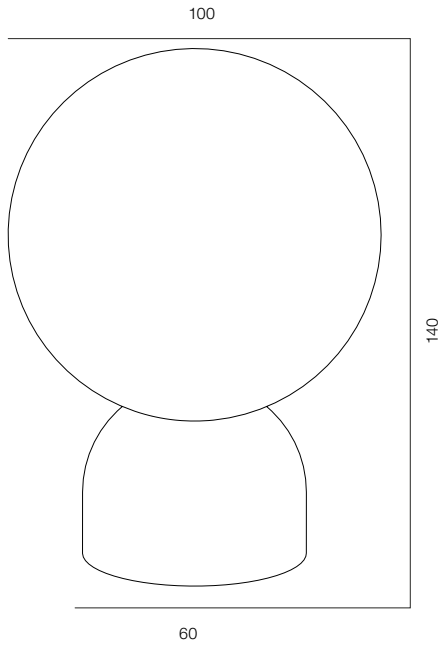
LOONA Y200 LAMP

LOONA Y LAMP

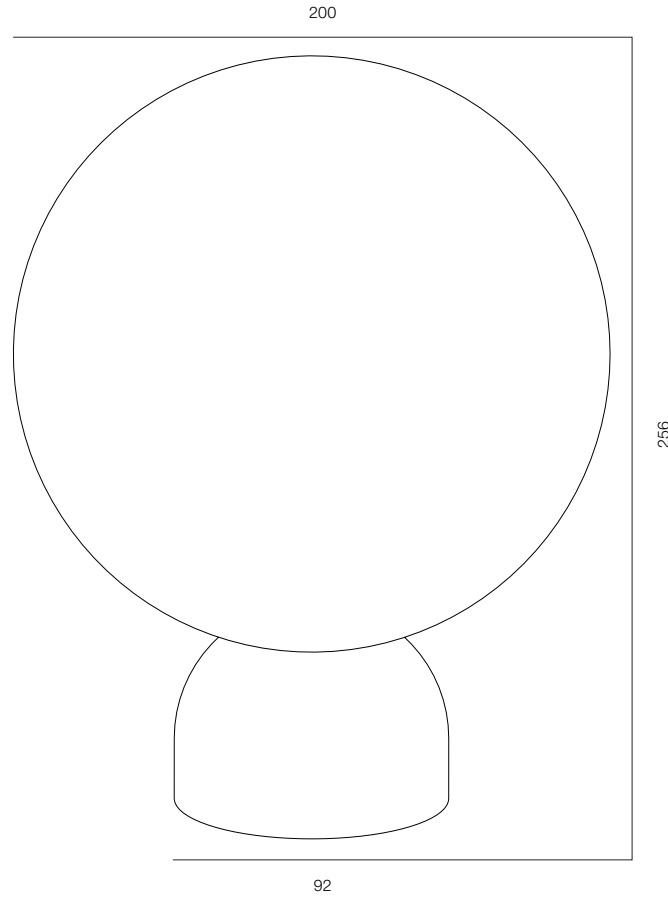
POWER - 2W, 4W / FLOOD / CCT - 2200K / CRI>97 Ra (R9>90) / COMFORT - UGR <19 /
IP40 / 220V / CONTROL - DIM TOUCH / WARRANTY - 2 YEARS

FINISHES: STONE NATURAL & 100% BRASS (gold)





LOONA C100 LAMP



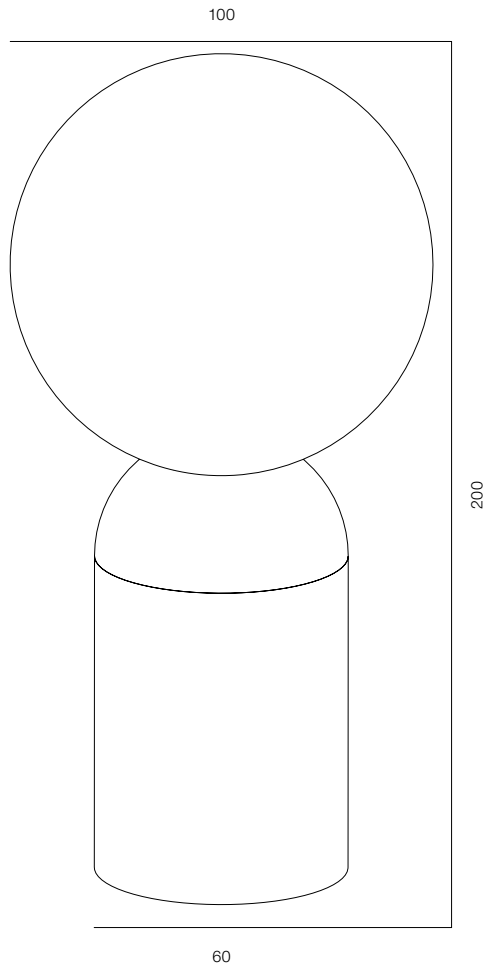
LOONA C200 LAMP

LOONA C LAMP

POWER - 2W, 4W / FLOOD / CCT - 2200K / CRI>97 Ra (R9>90) / COMFORT - UGR <19 /
IP40 / 220V / CONTROL - DIM TOUCH / WARRANTY - 2 YEARS

FINISHES: STONE NATURAL & 100% BRASS (gold)





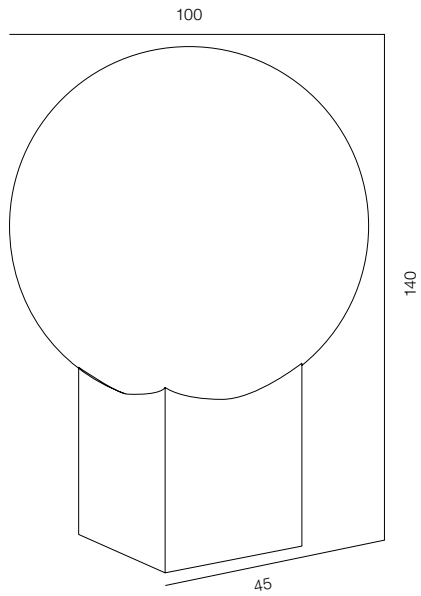
LOONA V100 LAMP

LOONA V LAMP

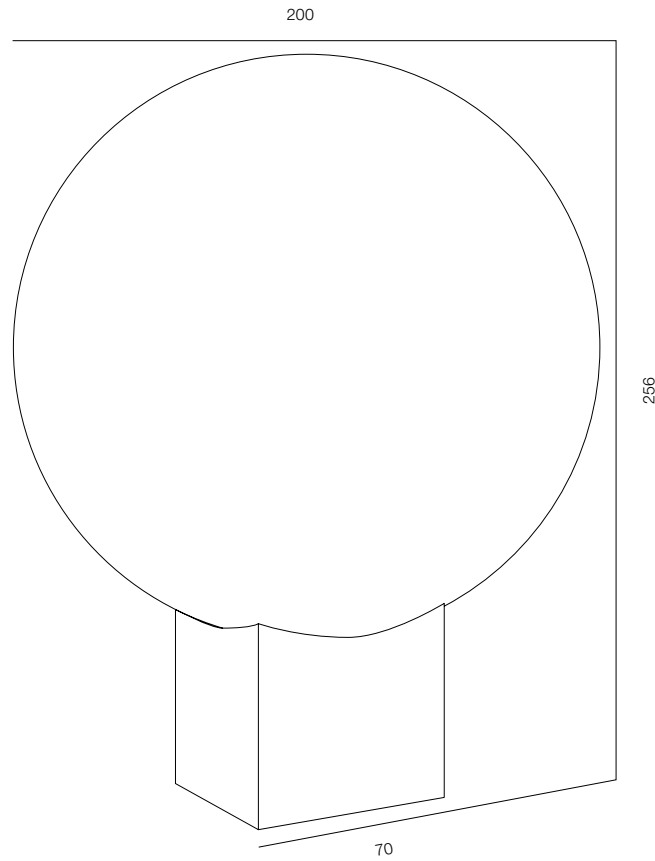
POWER - 2W / FLOOD / CCT - 2200K / CRI>97 Ra (R9>90) / COMFORT - UGR <19 / IP40 / 220V / CONTROL - DIM TOUCH / WARRANTY - 2 YEARS

FINISHES: STONE NATURAL & 100% BRASS (gold)





LOONA S100 LAMP



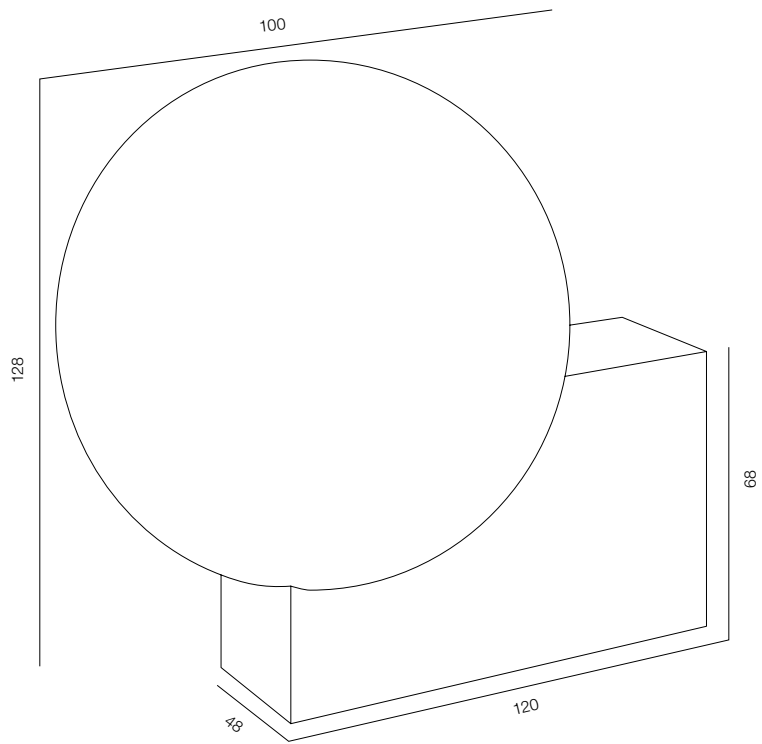
LOONA S200 LAMP

LOONA S LAMP

POWER - 2W, 4W / FLOOD / CCT - 2200K / CRI>97 Ra (R9>90) / COMFORT - UGR <19 /
 IP40 / 220V / CONTROL - DIM TOUCH / WARRANTY - 2 YEARS

FINISHES: STONE NATURAL & 100% BRASS (black)





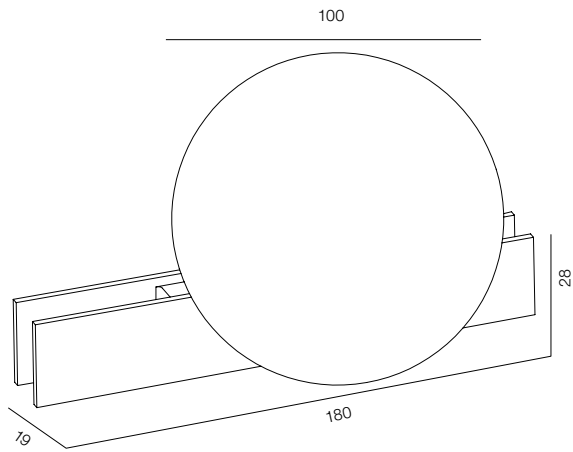
LOONA P100 LAMP

LOONA P LAMP

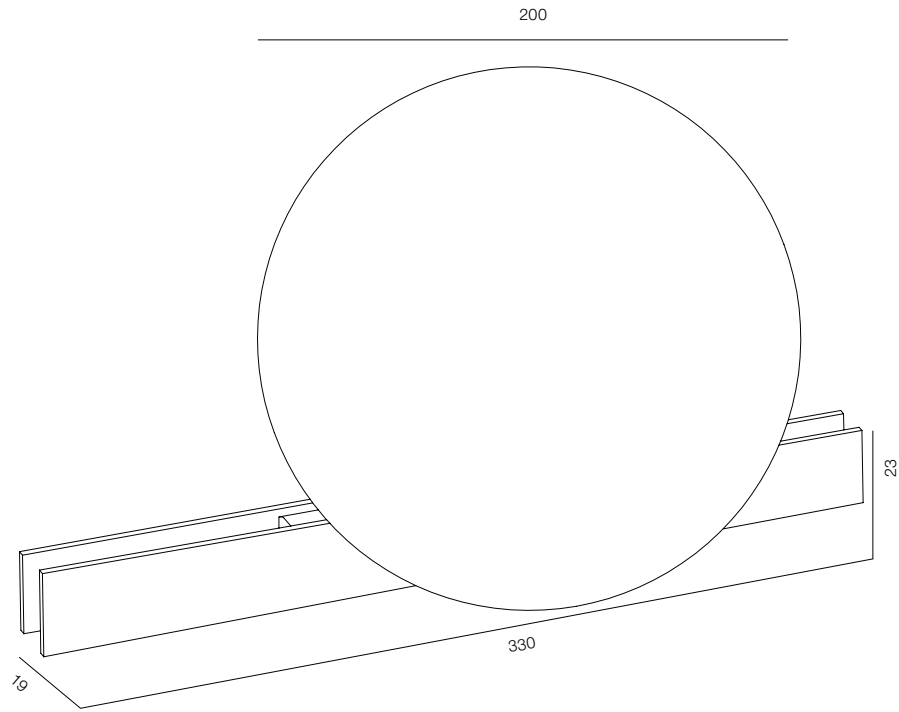
POWER - 8W / FLOOD / CCT - 2200K / CRI>97 Ra (R9>90) / COMFORT - UGR <19 /
IP40 / 220V / CONTROL - DIM TOUCH / WARRANTY - 2 YEARS

FINISHES: STONE NATURAL & DARK TITAN





LOONA L100 LAMP

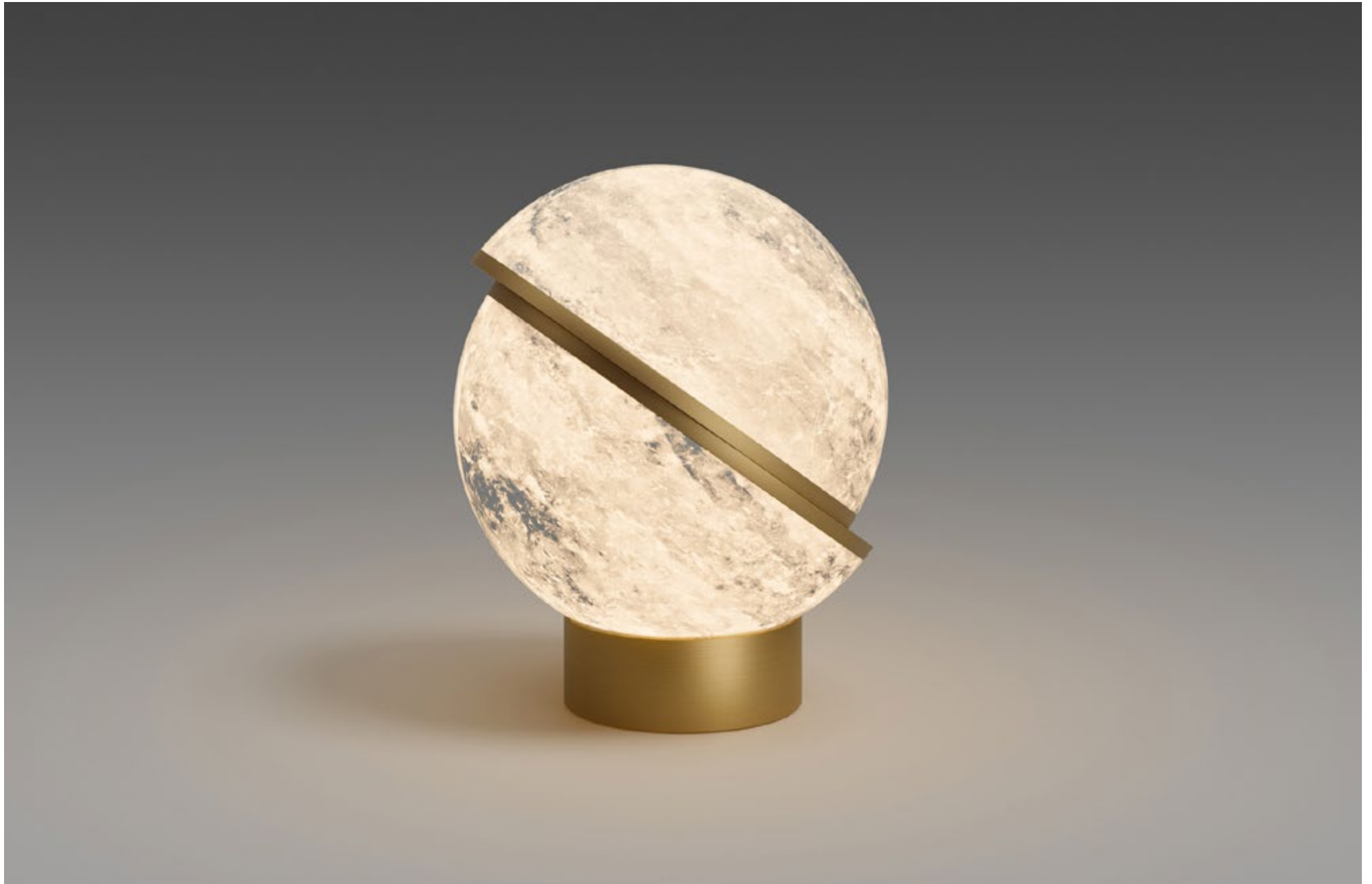


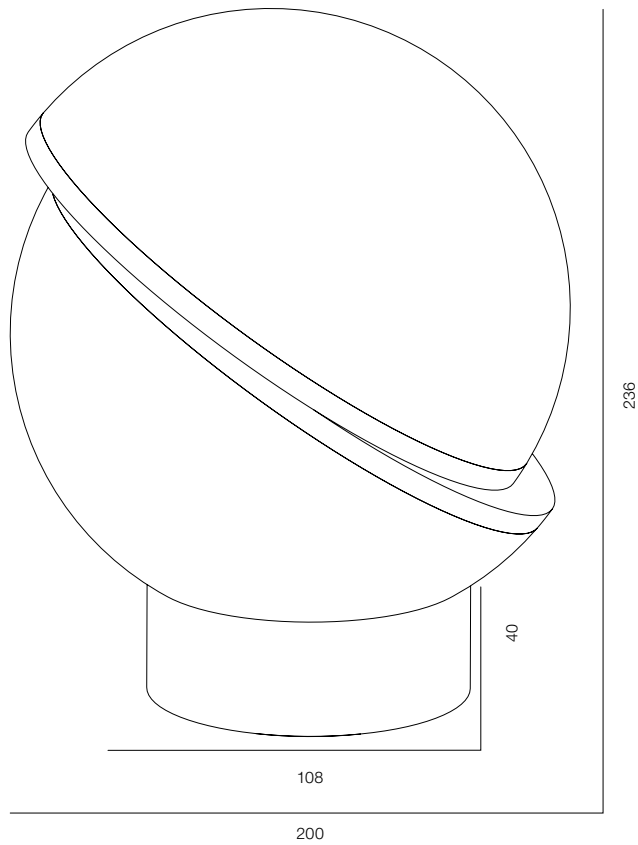
LOONA L200 LAMP

LOONA L LAMP

POWER - 2W, 4W / FLOOD / CCT - 2200K / CRI>97 Ra (R9>90) / COMFORT - UGR <19 / IP40 / 220V / CONTROL - DIM TOUCH / WARRANTY - 2 YEARS

FINISHES: STONE NATURAL & TITAN (gold, black)



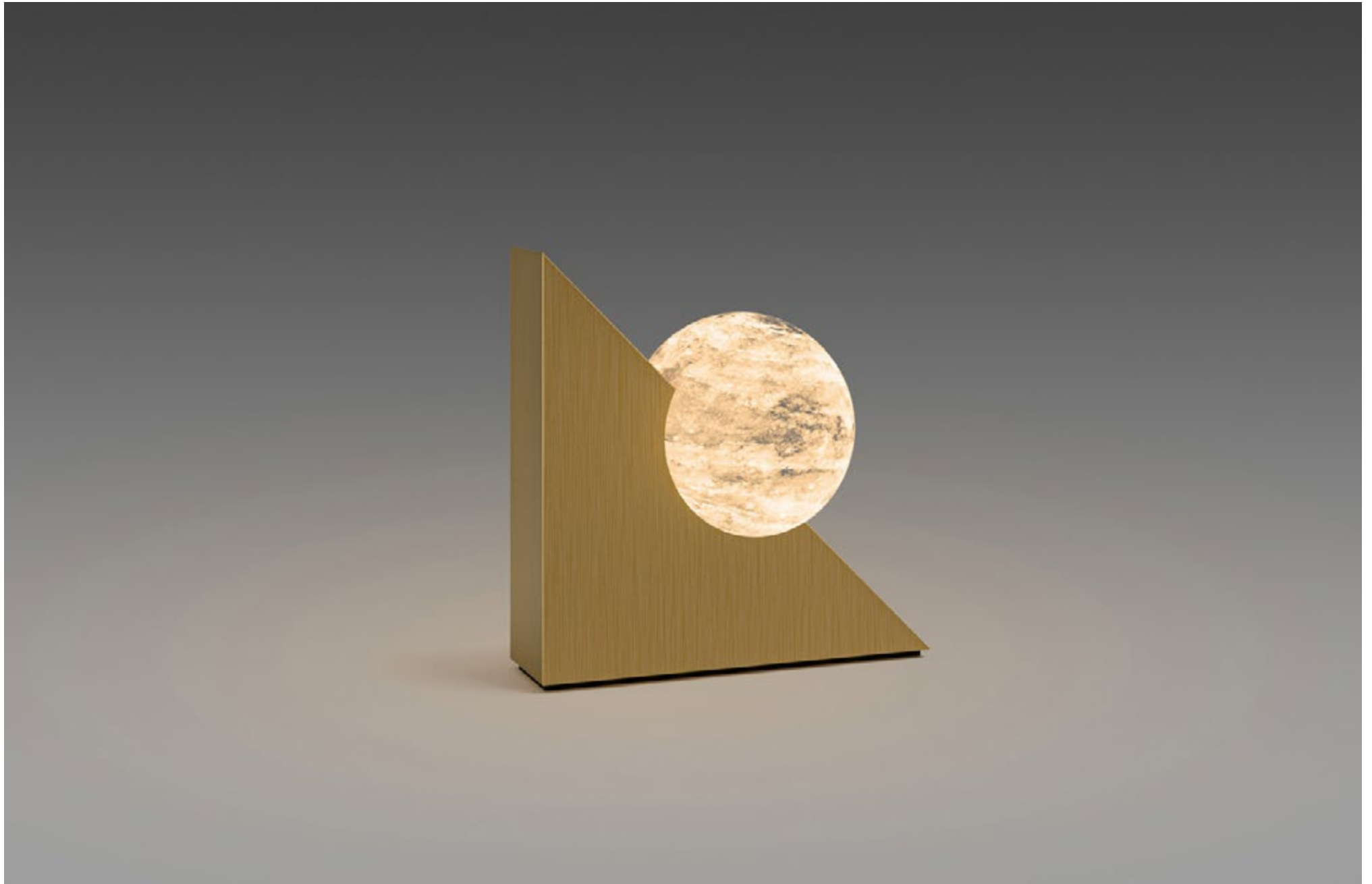


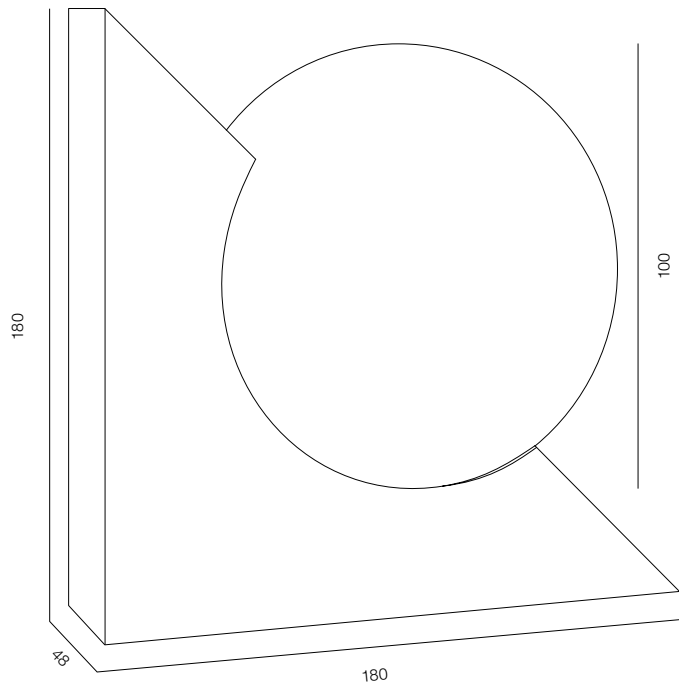
LOONA R200 LAMP

LOONA R LAMP

POWER - 4W / FLOOD / CCT - 2200K / CRI>97 Ra (R9>90) / COMFORT - UGR <19 / IP40 / 220V / CONTROL - DIM TOUCH / WARRANTY - 2 YEARS

FINISHES: STONE NATURAL & TITAN (gold)





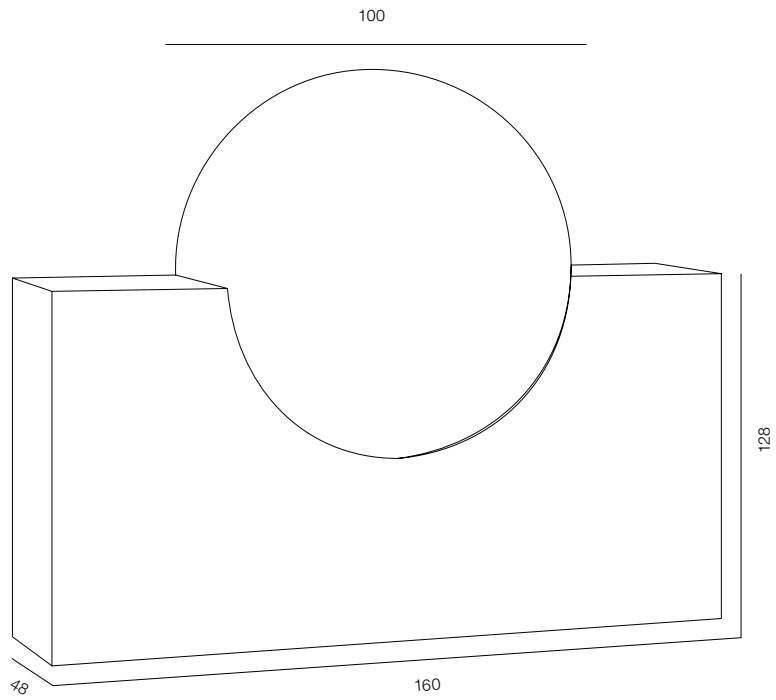
LOONA J100 LAMP

LOONA J LAMP

POWER - 2W / FLOOD / CCT - 2200K / CRI>97 Ra (R9>90) / COMFORT - UGR <19 /
IP40 / 220V / CONTROL - DIM TOUCH / WARRANTY - 2 YEARS

FINISHES: STONE NATURAL & 100% BRASS (gold)





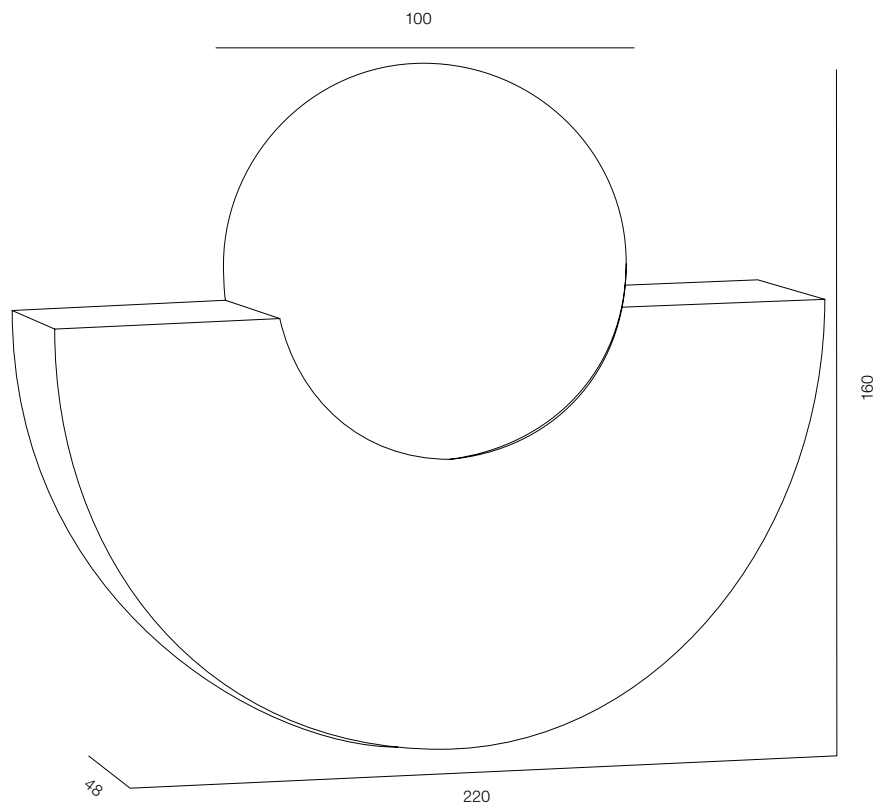
LOONA U100 LAMP

LOONA U LAMP

POWER - 2W / FLOOD / CCT - 2200K / CRI>97 Ra (R9>90) / COMFORT - UGR <19 /
IP40 / 220V / CONTROL - DIM TOUCH / WARRANTY - 2 YEARS

FINISHES: STONE NATURAL & 100% BRASS (gold)





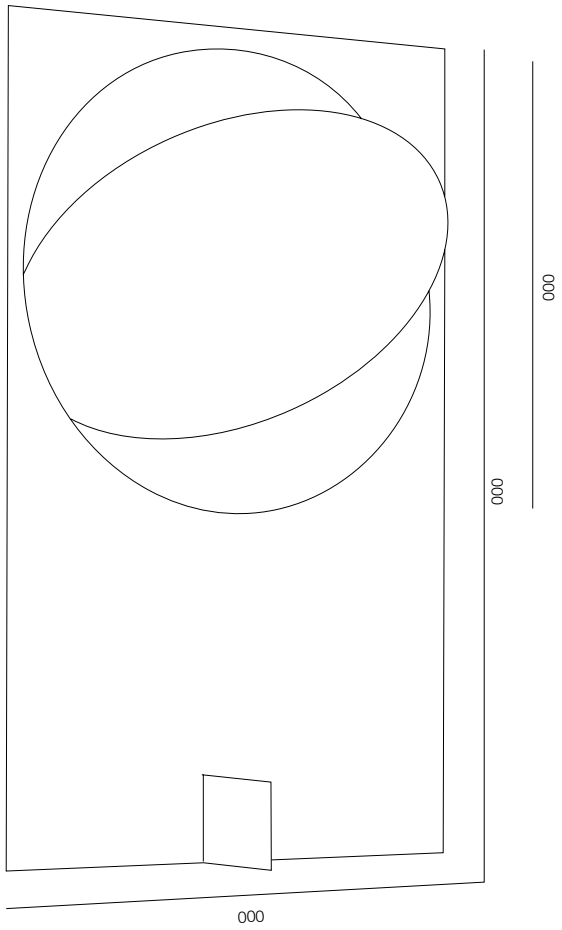
LOONA G100 LAMP

LOONA G LAMP

POWER - 2W / FLOOD / CCT - 2200K / CRI>97 Ra (R9>90) / COMFORT - UGR <19 /
IP40 / 220V / CONTROL - DIM TOUCH / WARRANTY - 2 YEARS

FINISHES: STONE NATURAL & 100% BRASS (gold)





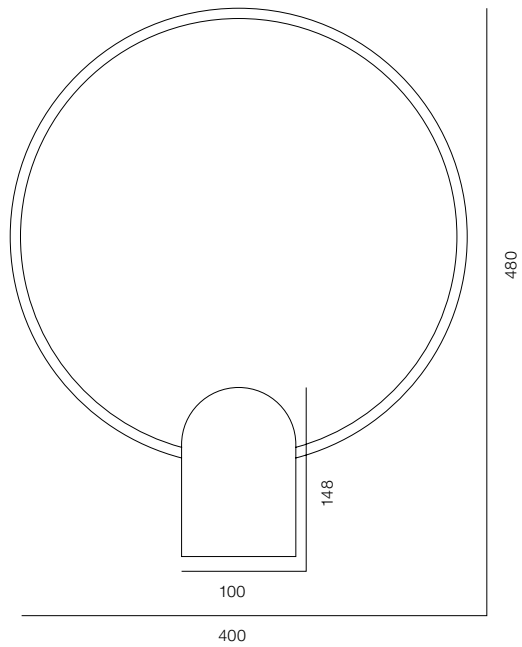
TRAMONTO LAMP

TRAMONTO LAMP

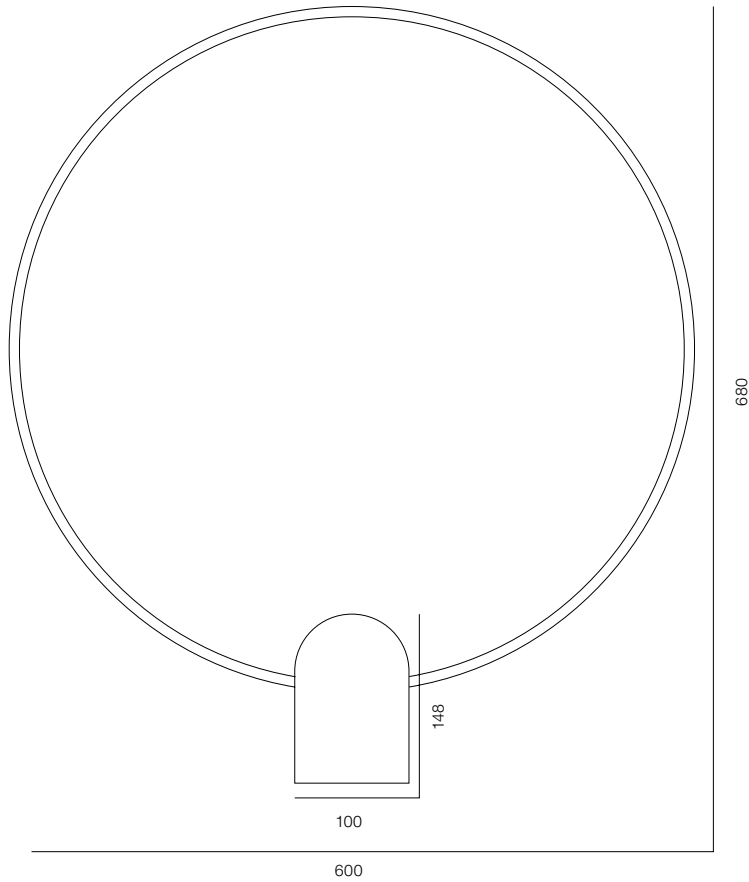
POWER - 10W / FLOOD / CCT - 2200K / CRI>97 Ra (R9>90) / COMFORT - UGR <19 /
IP40 / 220V / CONTROL - NO DIM / WARRANTY - 2 YEARS

FINISHES: PATINA BRASS / DARK BRASS





CYLINDER RIM LAMP 400



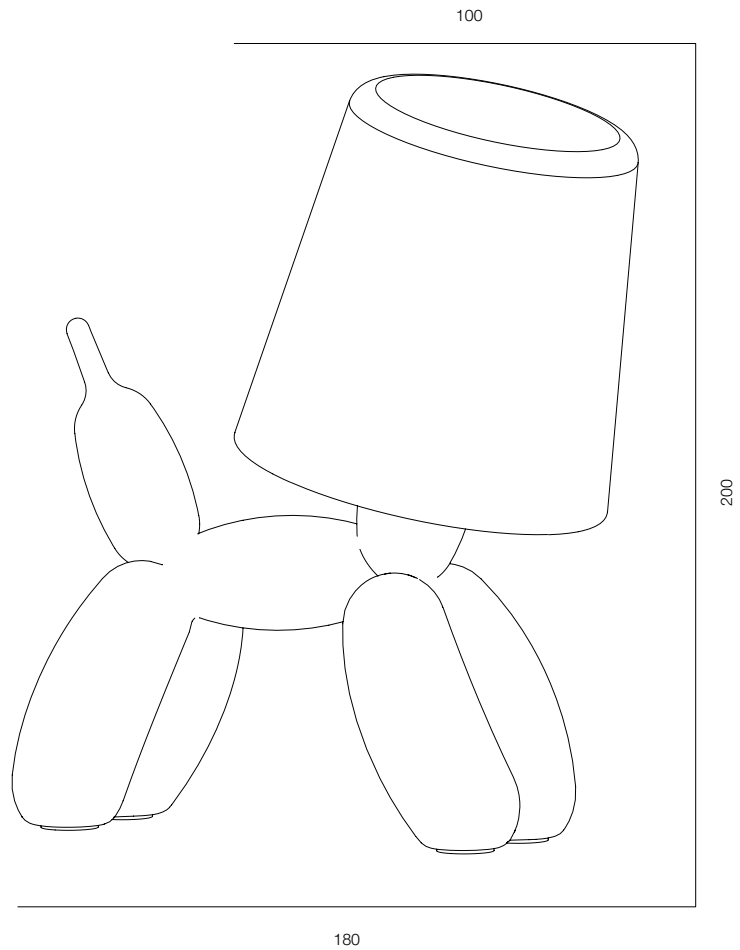
CYLINDER RIM LAMP 600

CYLINDER RIM LAMP

POWER - 8W, 10W / FLOOD / CCT - 2200K / CRI>97 Ra (R9>90) / COMFORT - UGR <19 /
IP40 / 220V / CONTROL - DIM TOUCH / WARRANTY - 2 YEARS

FINISHES: TITAN (gold)





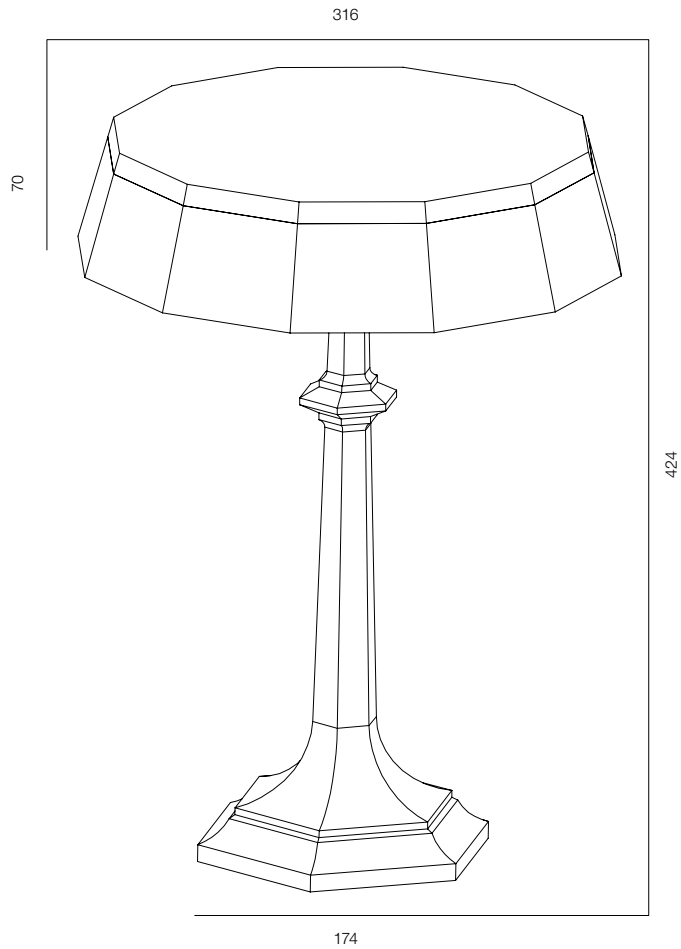
HATDOG LAMP 200

HATDOG LAMP

POWER - 1W / FLOOD / CCT - 2700K / CRI>97 Ra (R9>90) / COMFORT - UGR <19 /
IP40 / 220V / CONTROL - DIM TOUCH / WARRANTY - 2 YEARS

FINISHES: SILVER GLOSSY





PIANTANA LAMP 300

PIANTANA LAMP

POWER - 13W / FLOOD / CCT - 2200K / CRI>97 Ra (R9>90) / COMFORT - UGR <19 /
IP40 / 220V / CONTROL - DIM TOUCH / WARRANTY - 2 YEARS

FINISHES: BLACK CRYSTAL & PATINA BRASS



ORBITA LAMP 100% BRASS GOLD
Country house RENAISSANCE PARK



CILINDRO LAMP TITAN GOLD
Country house RENAISSANCE PARK



ORBITA LAMP PAINT WHITE
Render by ALFIYA MAN'KINA



CILINDRO LAMP TITAN BLACK
Render by ALFIYA MAN'KINA



COPPA LAMP 100% BRASS GOLD
Render by ALFIYA MAN'KINA



TERZA LAMP

Render by ALFIYA MAN'KINA



LOONA Y100 LAMP STONE NATURAL & 100% BRASS GOLD
Motor show GREATS (Moscow)



HALO LAMP PAINT BLACK
Render by ALFIYA MAN'KINA



HALO LAMP PAINT BLACK
Render by ALFIYA MAN'KINA



MATRÉSHKA LAMP VETRO CRYSTAL PINK & TITAN BLACK

Render by ALFIYA MAN'KINA



MATRĚSHKA LAMP STONE PINK ALABASTER & 100% BRASS GOLD / MATRĚSHKA CRYSTAL CRYSTAL PURE

Pavilion CENTERSVET / Exhibition BIF 2024

CENTERSVET

Designers

Oleg Evseev
Viktoriiia Merkulova
Alfiya Mankina
Anastasiya Arkhipova
Pavel Ibragimov

Engineers

Timofei Stolyarov
Vladimir Makhmutov
Roman Shtyrkov
Egor Grishin
Kirill Galnykin
Evgenii Chicherin
Ivan Ereemeev
Nikita Danilishin
Pavel Kantimirov

All materials (texts, photographs, etc.) used in the catalogue are exclusive property of Centrsvet LLC and are copyrighted. Republishing, copying and any other use shall be permitted only if there is an authorization from the right holder. On all aspects of mounting it is necessary to invoke the mounting instruction provided with luminaries or on the website centersvet.com

LIGHT IS EVERYTHING